



Valkyrie Vox A

MANUAL - 10/2017

Addressable Voice Sounder/Beacon

MADE IN PORTUGAL - EU

GLOBAL FIRE EQUIPMENT S.A.

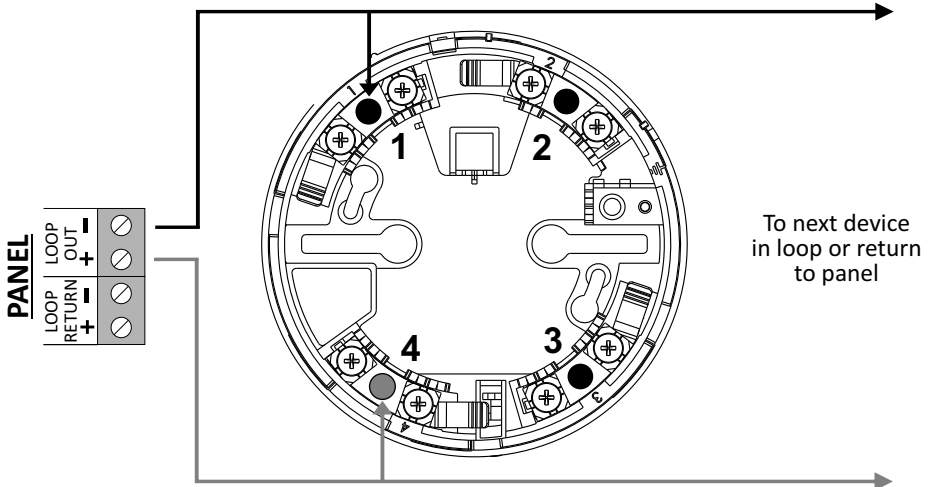
Sítio dos Barrabés, Armazém Nave Y, Caixa Postal 908-Z, 8150-016 São Brás de Alportel - PORTUGAL

Tel: +351 289 896 560 • Sales: sales@globalfire.pt • Technical Support: techs@globalfire.pt • www.globalfire.pt

TECHNICAL SPECIFICATIONS

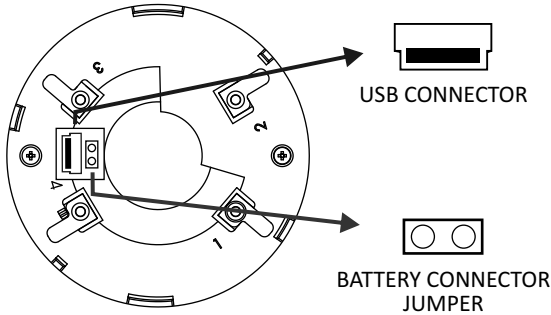
SUPPLY VOLTAGE	Loop: 20 V to 30 V DC
LOOP CURRENT	0.7 mA (Quiescent) - 7.5 mA Max. (sounder active or charging)
LOOP CURRENT - ALARM BEACON	1,4 mA
SOUND OUTPUT @ 1 METER	Tone 104 dBA - Voice Message 107 dBA
MAX. CABLE SIZE	2.5 mm ²
MAX. HUMIDITY	95% RH Non-Condensing
OPERATING TEMPERATURE	-10°C to 50°C
COLOUR / CASE MATERIAL	Red or White / ABS & PC
PROTECTION CATEGORY	IP21C - Type A - Indoor Use
DIMENSIONS	109.5 (D) x 85.1 (H) mm
WEIGHT	270 g - 325 g including packaging
ORDER CODE	DESCRIPTION
VALKYRIE VOX-A	ADDRESSABLE VOICE SOUNDER
VALKYRIE VOX-AB	ADDRESSABLE VOICE SOUNDER WITH BEACON

SOUNDER BASE - LOOP & EXT. SUPPLY CONNECTIONS



NOTE: Address programmed on switches 1-5 has an OFFSET of 94. For example if D.I.L. switches 1-5 are all set to OFF the actual sounder address, as read by the panel, will be 94.

USER CONNECTOR



Use USB connector in conjunction with GFE's Vox Loader PC Software to program new tones and voice messages.

Software can be downloaded from our website www.globafire.pt

NOTE: REMOVE THE BATTERY CONNECTOR JUMPER IF THE SOUNDER IS NOT SUPPLIED WITH POWER

BATTERY DIAGNOSTICS

Both JUNO-NET and JUNIOR Panel will show the battery state on the Device Value menu.

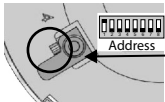
Analog Value OK:

27 to 35 - Battery Voltage Value (2,7V to 3,5V)

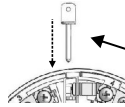
Analog Value indicating Battery FAIL:

- 6 - Battery Low (Keep the device connected to charge)
- 7 - Battery Damaged (No Jumper, or permanently damaged)
- 8 - Battery Error (Under 2,5 V - Keep the device connected to charge)

BASE LOCK



To lock sounder remove pin available at terminal 4 on the underside of the sounder using a small screwdriver.



To unlock sounder from its base push provided unlock key through hole available on the base side wall as shown.

D.I.L. SWITCHES CONFIGURATION

<p>ON (1)</p> <p style="text-align: right;">OFF (0)</p> <div style="display: flex; justify-content: center; gap: 10px;"> <div style="text-align: center;"> OFF </div> <div style="text-align: center;"> ON </div> </div>	<p>Switches 1-5 Used to configure address in the range 94-125</p> <p>Switch 6 Not used</p>	<p>Switch 7 Beacon Stop only on Panel Reset: ON Beacon Stop on Alarm Silence: OFF</p> <p>Switch 8 Normal: ON / Shadow: OFF</p>	<p>Address Switches 1 ON = 1 2 ON = 2 3 ON = 4 4 ON = 8 5 ON = 16</p>
--	--	--	--

SOUNDER/BEACON ADDRESS SETTINGS

Sounder 1 94	Sounder 2 95	Sounder 3 96	Sounder 4 97	Sounder 5 98	Sounder 6 99	Sounder 7 100	Sounder 8 101
Sounder 9 102	Sounder 10 103	Sounder 11 104	Sounder 12 105	Sounder 13 106	Sounder 14 107	Sounder 15 108	Sounder 16 109
Sounder 17 110	Sounder 18 111	Sounder 19 112	Sounder 20 113	Sounder 21 114	Sounder 22 115	Sounder 23 116	Sounder 24 117
Sounder 25 118	Sounder 26 119	Sounder 27 120	Sounder 28 121	Sounder 29 122	Sounder 30 123	Sounder 31 124	Sounder 32 125